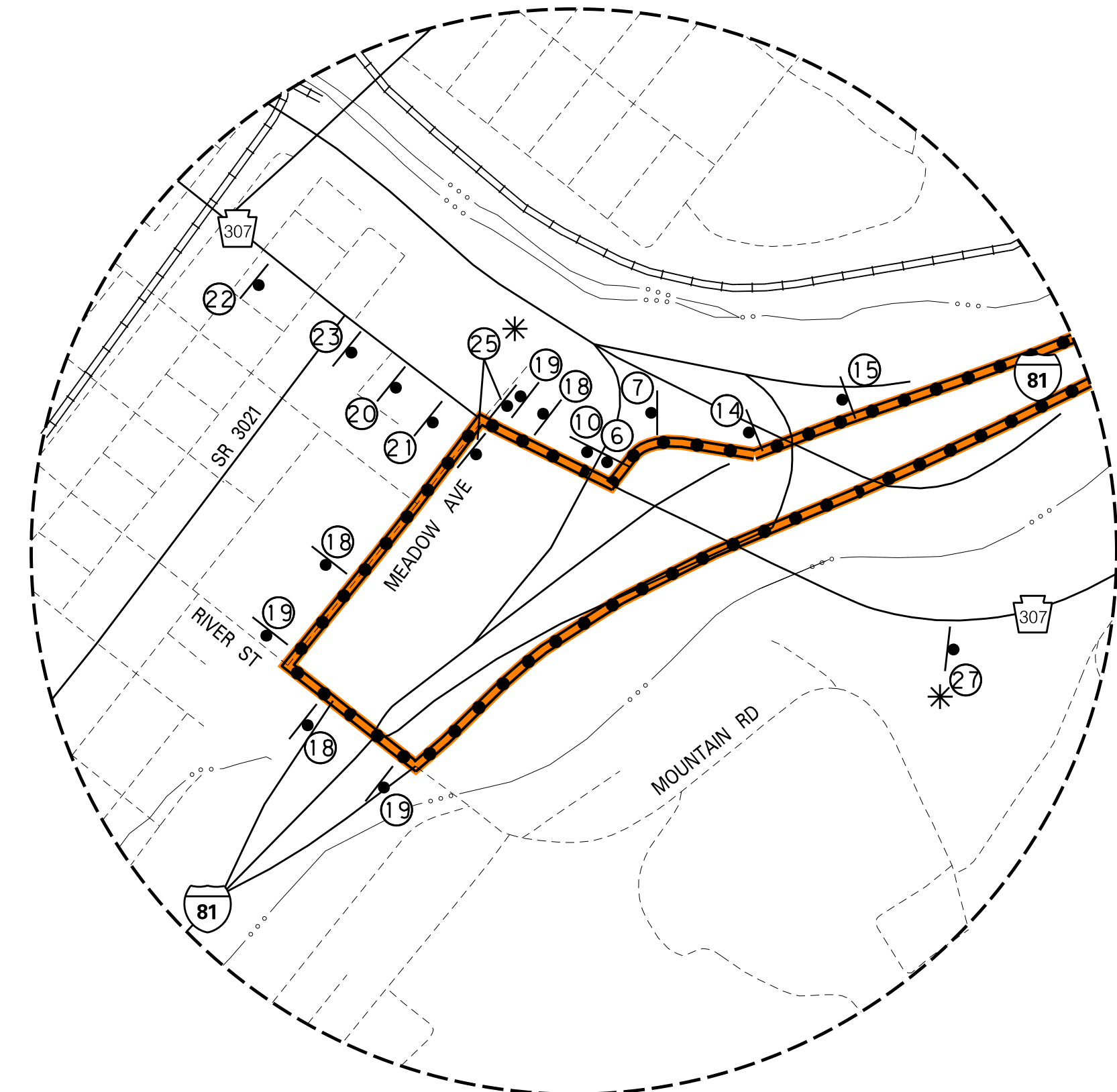
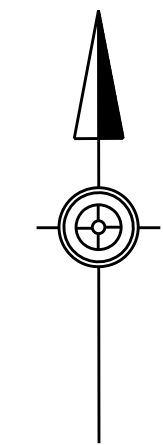
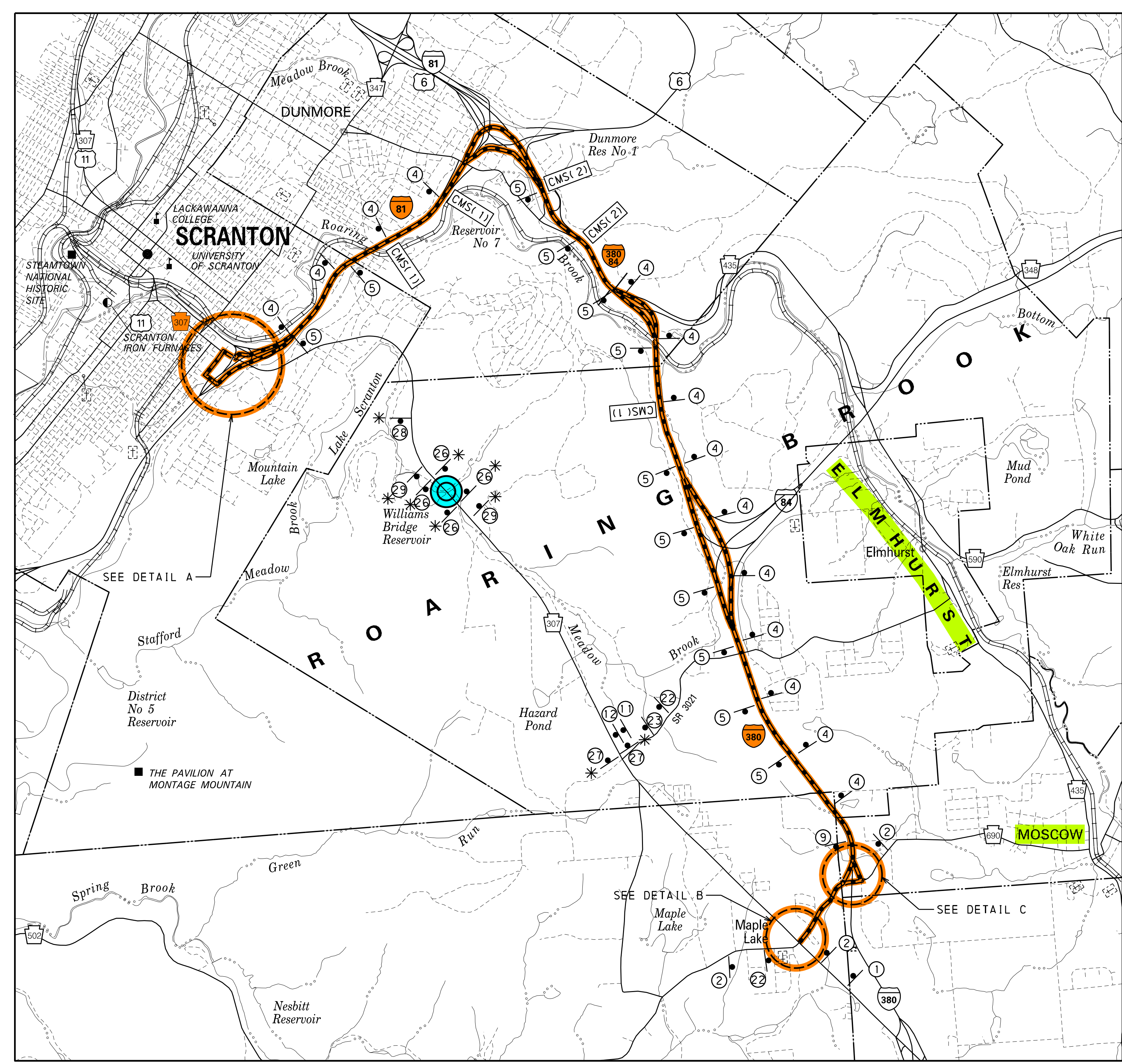
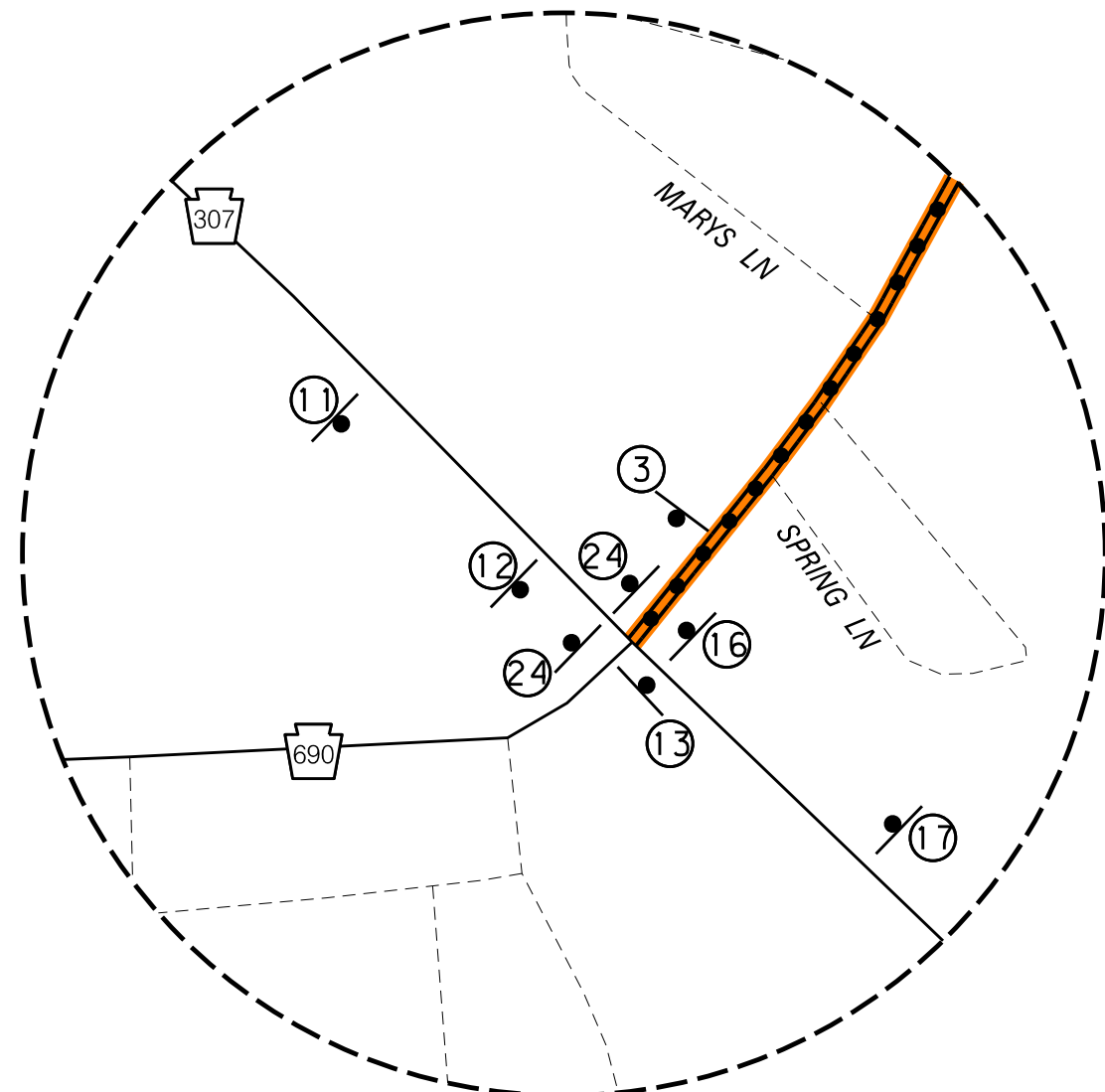


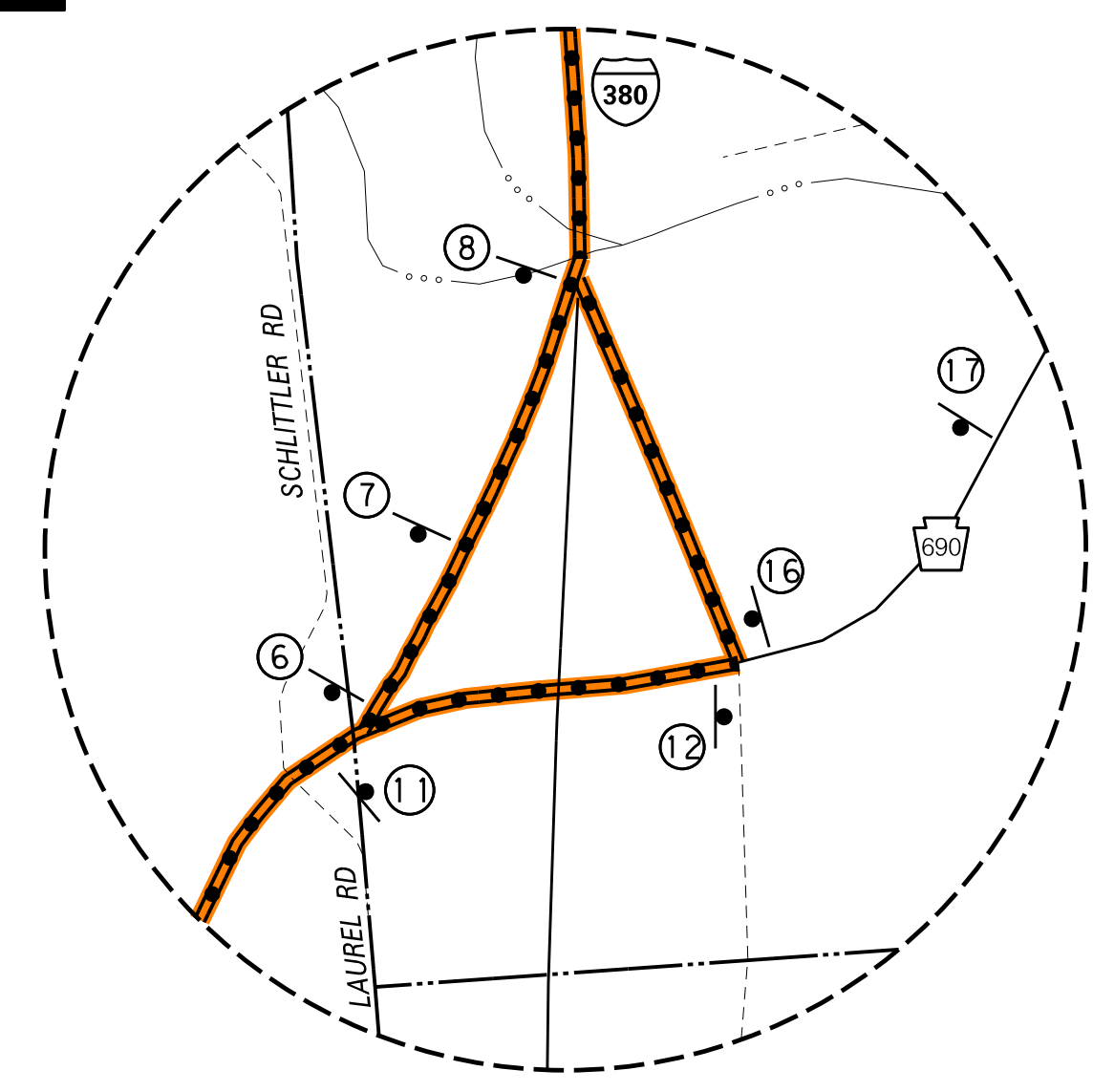
DISTRICT	COUNTY	ROUTE	SECTION	SHEET
4-0	LACKAWANNA	0307	D53	1 OF 3
ROARING BROOK TOWNSHIP				
REVISION NUMBER	REVISIONS	DATE	BY	



DETAIL "A"  
SCALE 0 500 1000 FT



DETAIL "B"  
SCALE 0 200 400 FT



DETAIL "C"  
SCALE 0 200 400 FT

**LEGEND**

- PROJECT AREA
- SIGN LOCATION
- DETOUR ROUTE
- TOWNSHIP/BOROUGH LINE
- STATE ROUTE
- TOWNSHIP ROAD
- STREAM/CREEK
- TYPE III BARRICADES
- CHANGEABLE MESSAGE SIGN (MESSAGE)

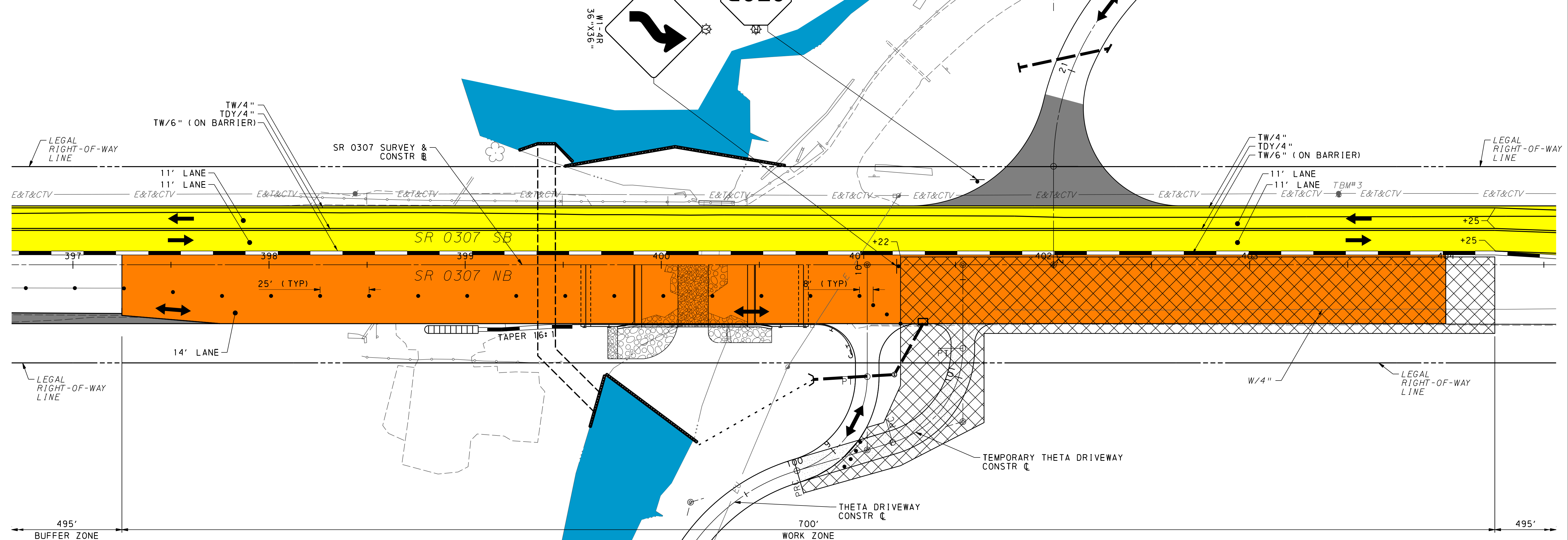
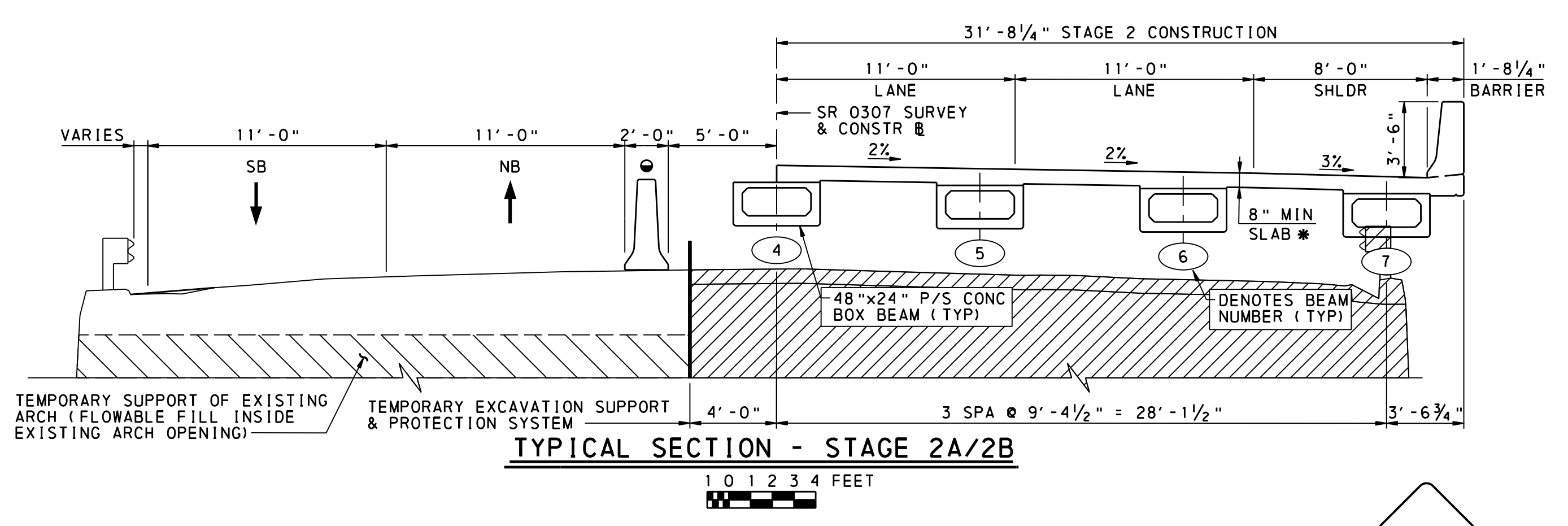
**DETOUR PLAN**  
**SR 0307**  
DETOUR LENGTH = 10.9 MILES  
SCALE 0 1/2 1 MILE

SOUTH 307 FOLLOW SOUTH I-380	NORTH 307 FOLLOW SOUTH I-81
CMS (1)	CMS (2)

**SUGGESTED CMS MESSAGES**

PLOT DRIVER: p:\p2011\p2011\_01\p2011\_01\_color\_grayscale.plt;f;g  
 FILE: p2011\_01\_01\_color\_grayscale.tbl  
 WORKSPACE: 217075-01.SR\_307  
 OPERATOR: B:\grsley  
 PLOTTED: 4/17/2025 8:25:25 AM  
 MEETING: 217075-01\HW\MPT\Public Meeting\21707501-HW-MPT-DTR-FN02.dgn

DISTRICT	COUNTY	ROUTE	SECTION	SHEET
4-0	LACKAWANNA	0307	D53	2 OF 3
ROARING BROOK TOWNSHIP				
REVISION NUMBER	REVISIONS	DATE	BY	



**LEGEND**

- TRAVEL LANES
- CONSTRUCTION AREA
- WATER WAY

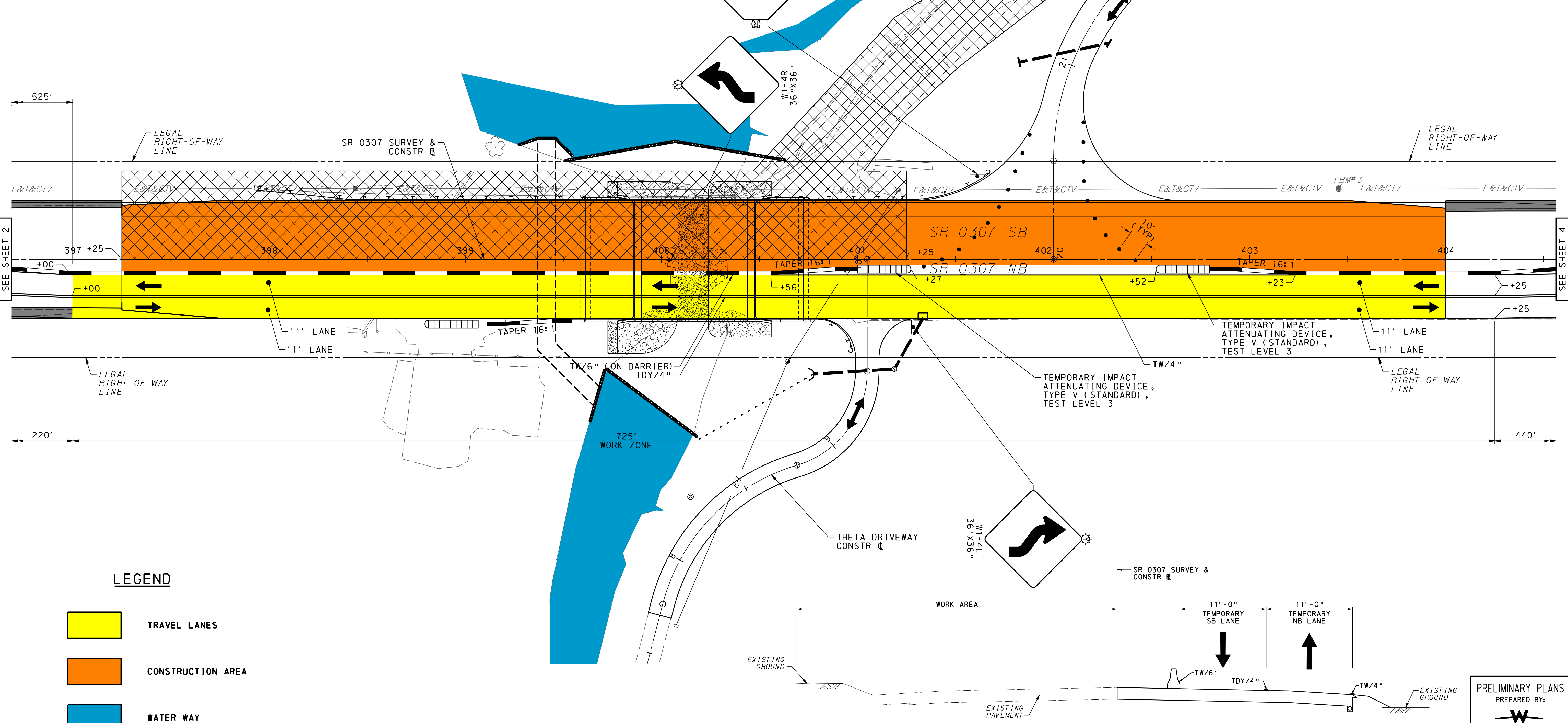
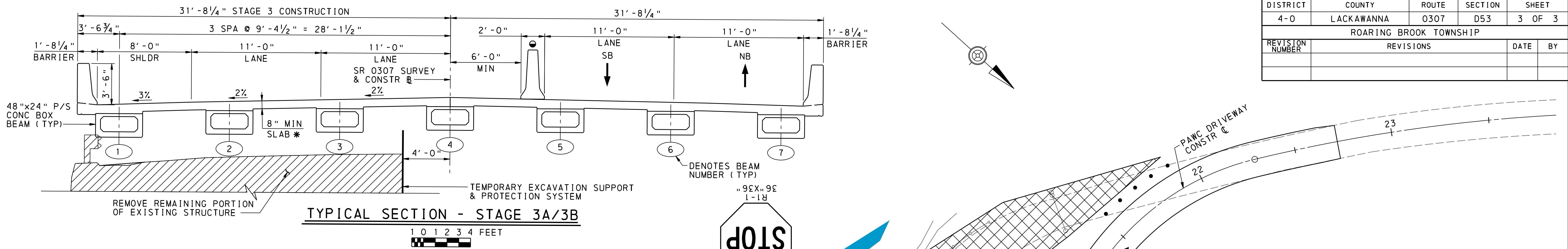
**SR 0307 TYPICAL SECTION STAGE 2A & 2B**  
NOT TO SCALE

**PLAN**  
**STAGE 2**

PRELIMINARY PLANS  
PREPARED BY:  
**WOOLPERT**  
1926 GOOD HOPE ROAD,  
SUITE 400  
ENOLA, PA 17025

PLOT DRIVER: p:\p2011\p2011.dwg - color - grayscale.plt  
 FILENAME: p:\p2011\p2011.dwg - color - grayscale.plt  
 WORKSPACE: 217075-01.SR\_307  
 OPERATOR: B.Gordley  
 PLOT DATE: 4/17/2008 8:25:30 AM  
 PLOTTED: 4/17/2008 8:25:30 AM

DISTRICT	COUNTY	ROUTE	SECTION	SHEET
4-0	LACKAWANNA	0307	D53	3 OF 3
ROARING BROOK TOWNSHIP				
REVISION NUMBER	REVISIONS	DATE	BY	



**LEGEND**

- TRAVEL LANES
- CONSTRUCTION AREA
- WATER WAY

SCALE 0 25 50 FEET

SR 0307 TYPICAL SECTION STAGE 3A & 3B  
NOT TO SCALE

PLAN STAGE 3

PRELIMINARY PLANS  
PREPARED BY:  
**WOOLPERT**  
1926 GOOD HOPE ROAD,  
SUITE 400  
ENOLA, PA 17025

OPERATOR: B.Gorsley  
 PLOT DATE: 4/7/2025  
 PLOT TIME: 8:25:32 AM  
 FILE: C:\Users\B.Gorsley\OneDrive\Documents\217075-01\SR\_307\217075-01\_SR\_307.dgn  
 PLOT DRIVER: pldrvr2011.plt  
 PLOT SCALE: 1"=40'  
 WORKSPACE: 217075-01\_SR\_307