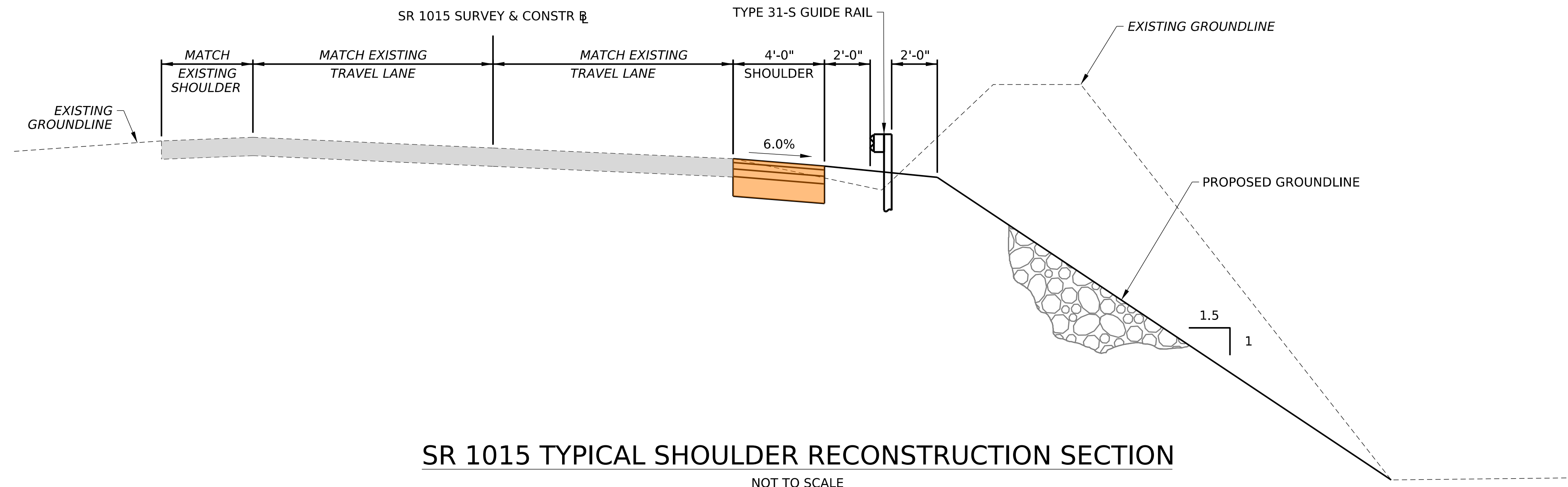


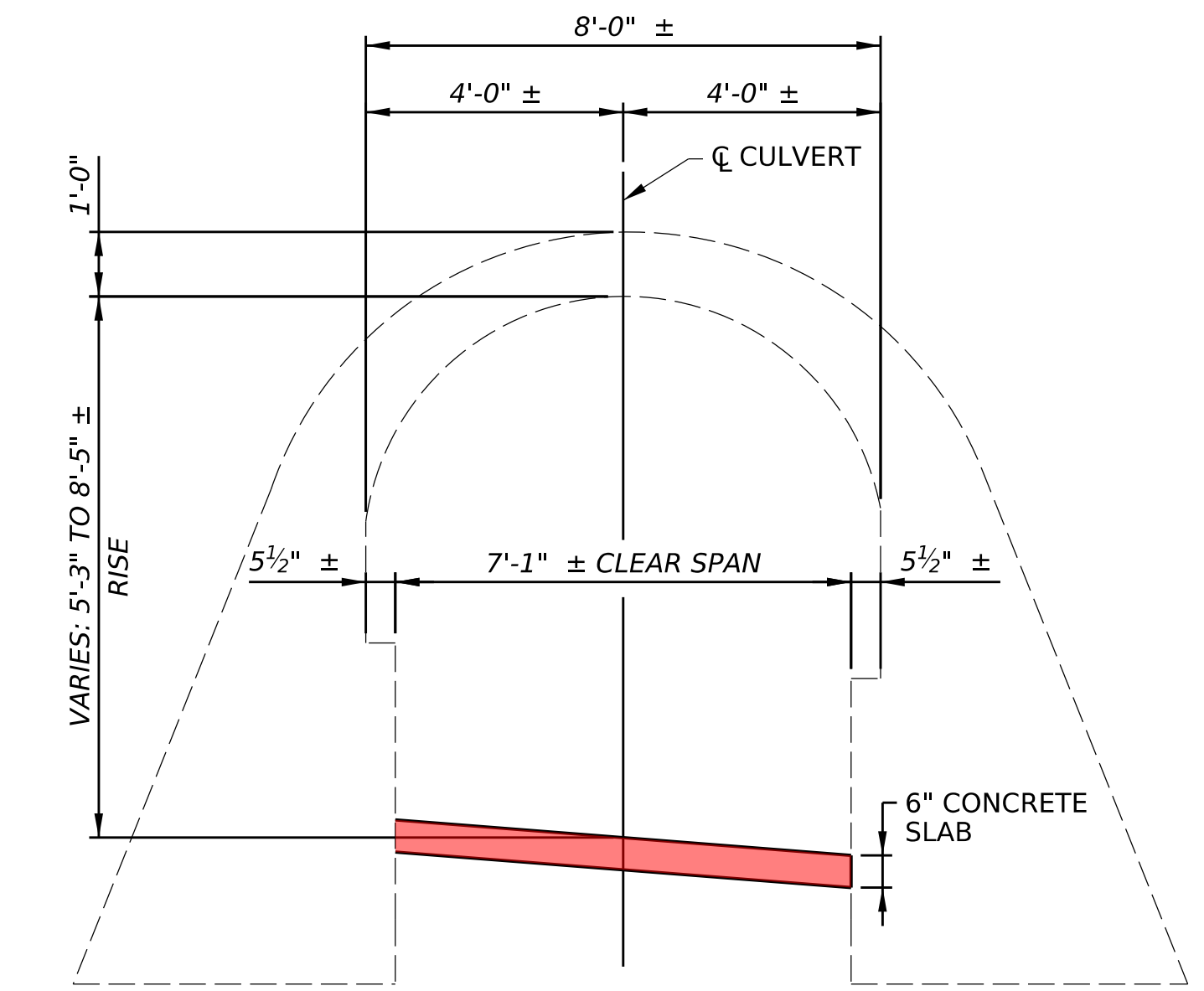
PLOTTED: 21-OCT-2024 10:50

DISTRICT	COUNTY	ROUTE	SECTION	SHEET	
8-0	PERRY	1015	022	OF	
HOWE TOWNSHIP					
REV NO	REVISIONS			DATE	BY



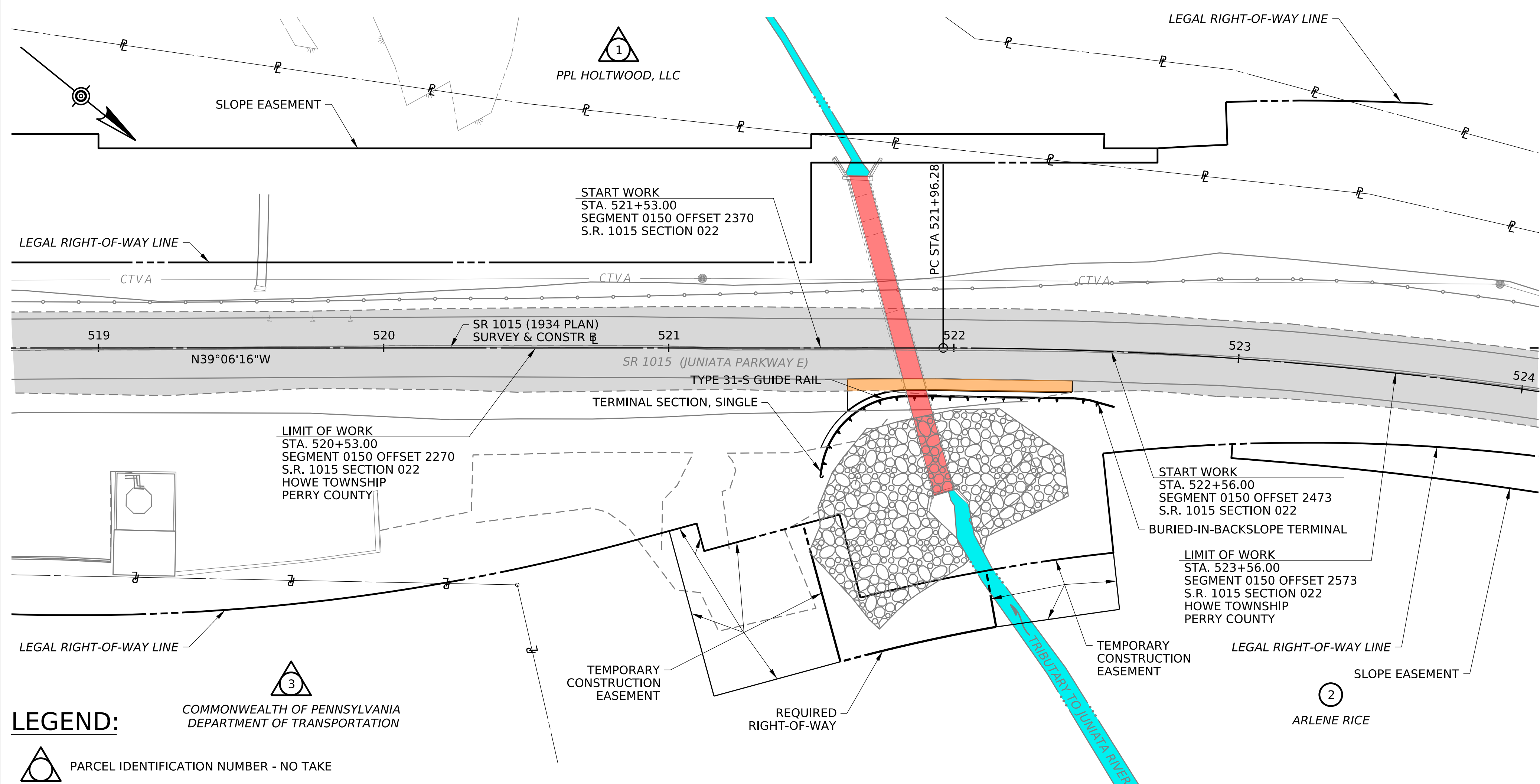
SR 1015 TYPICAL SHOULDER RECONSTRUCTION SECTION

NOT TO SCALE



TYPICAL SECTION ARCH CULVERT

NOT TO SCALE



GENERAL PLAN

0 25 50 FEET

LEGEND:

- PARCEL IDENTIFICATION NUMBER - NO TAKE
- PARCEL IDENTIFICATION NUMBER
- PROPOSED SHOULDER
- PROPOSED BOTTOM SLAB IN CULVERT
- TRIBUTARY TO JUNIATA RIVER
- EXISTING PAVEMENT
- ROCK, CLASS R-4 SLOPE PROTECTION

ANTICIPATED CONSTRUCTION

PRELIMINARY PLAN
SR 1015 SEC 022
JUNIATA PARKWAY EAST OVER
TRIBUTARY TO JUNIATA RIVER
HOWE TOWNSHIP
PERRY COUNTY