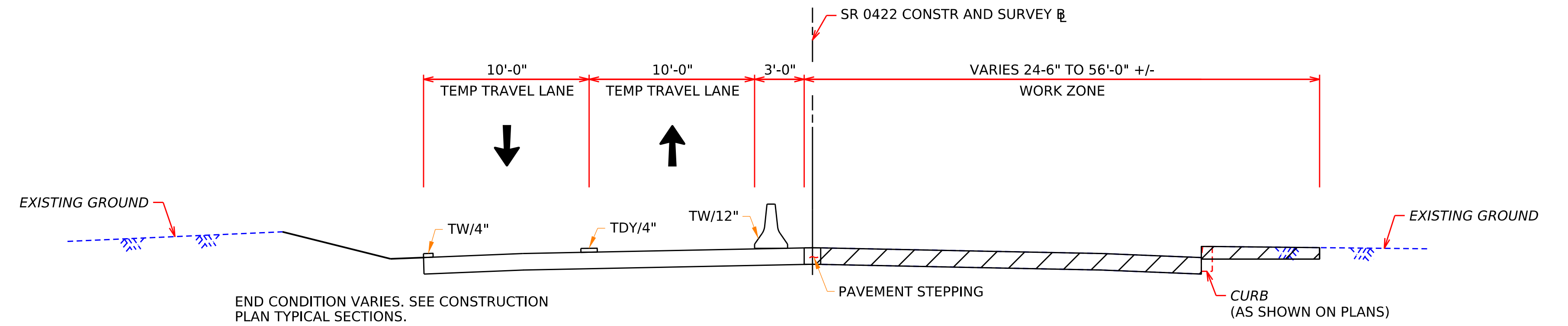




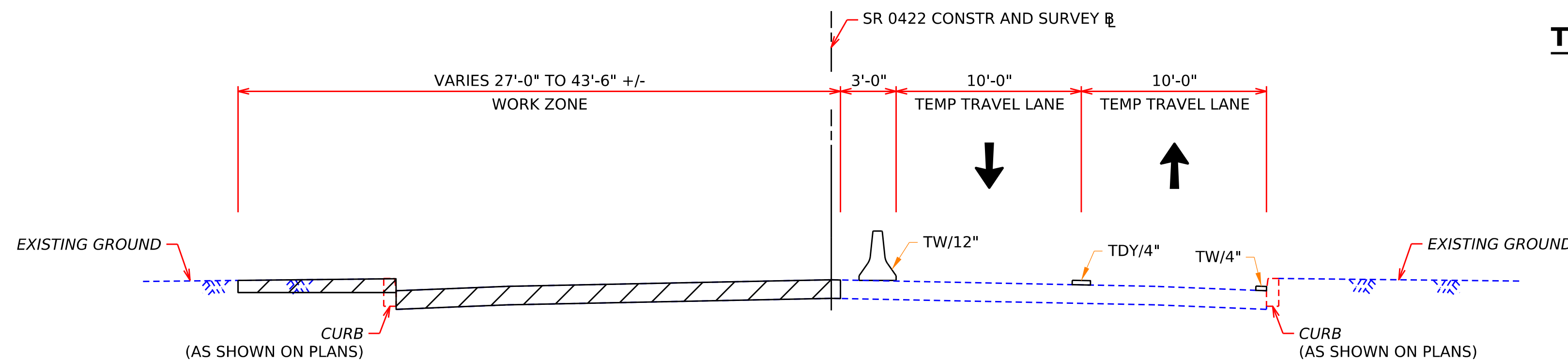
pennsylvania
DEPARTMENT OF TRANSPORTATION

**SR 0422 E. CUMBERLAND STREET RESURFACING
NORTH LEBANON TOWNSHIP, SOUTH LEBANON
TOWNSHIP, JACKSON TOWNSHIP,
AND CITY OF LEBANON
LEBANON COUNTY, PENNSYLVANIA**



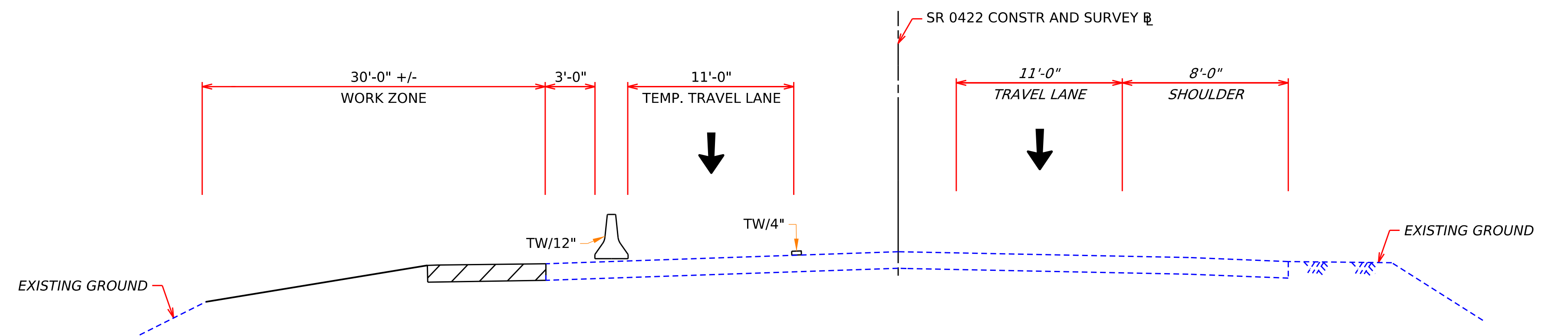
**TYPICAL SECTION - STAGE 2 AND STAGE 4 FULL DEPTH CONSTRUCTION
SR 0422 SECTION 045**

NOT TO SCALE
STA 201+70.00 TO STA 211+21.00 - STAGE 2
STA 183+00.00 TO STA 188+75.00 - STAGE 4



**TYPICAL SECTION - STAGE 1 AND STAGE 3 FULL DEPTH CONSTRUCTION
SR 0422 SECTION 045**



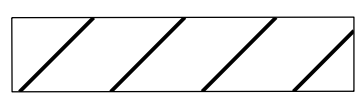
NOT TO SCALE
STA 201+70.00 TO STA 211+21.00 - STAGE 1
STA 183+00.00 TO STA 188+75.00 - STAGE 3



**TYPICAL SECTION - STAGE 5 FULL DEPTH CONSTRUCTION
SR 0422 SECTION 045**

NOT TO SCALE
STA 246+00.00 TO STA 254+00.00 - STAGE 5

LEGEND

-  TRAFFIC FLOW DIRECTION
-  TEMPORARY CONCRETE BARRIER
-  WORK ZONE
- TW/4" TEMPORARY WHITE LINE TRAFFIC ZONE PAINT/WIDTH
- TDY/4" TEMPORARY DOUBLE YELLOW LINE TRAFFIC ZONE PAINT/WIDTH