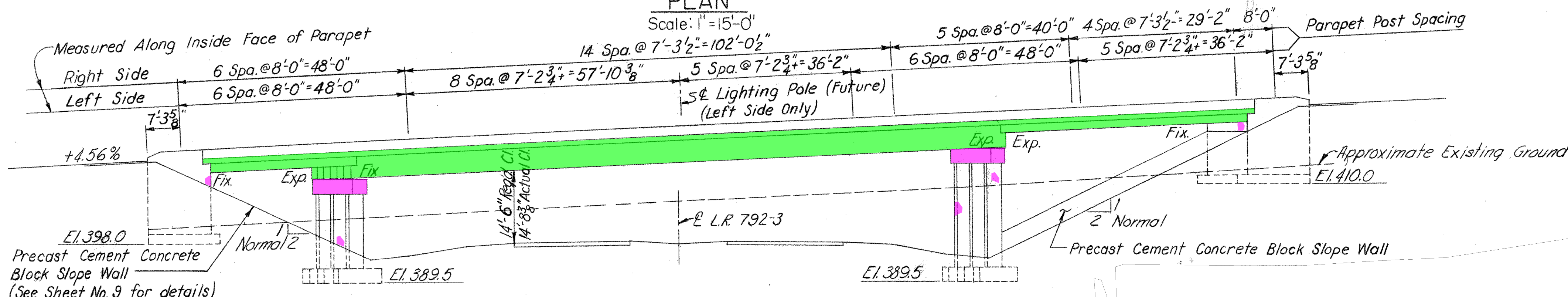


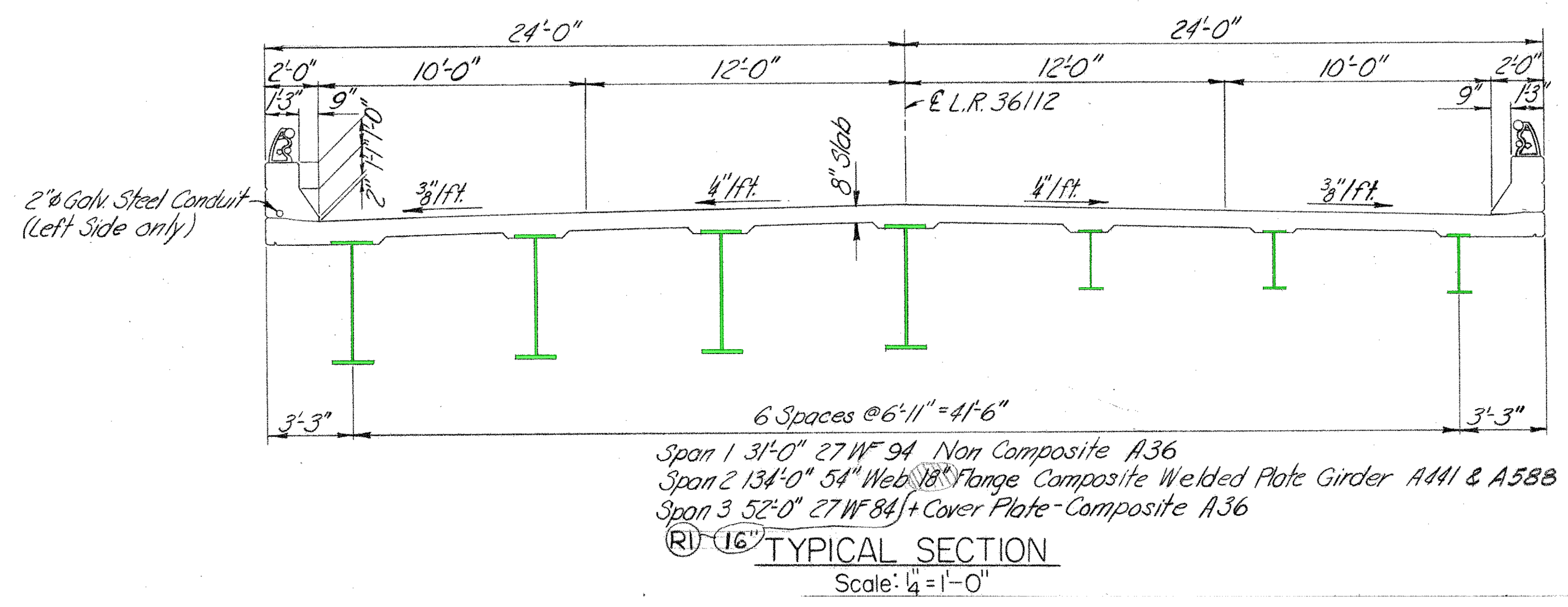
PLAN
Scale: 1" = 15'-0"

PLAN
Scale: 1" = 15'-0"



ELEVATION
Scale: 1" = 15'-0"

- LEGEND**
- LIMITS OF PROPOSED BEAM PAINTING
 - LIMITS PROPOSED SUBSTRUCTURE REPAIRS
 - CLEANING AND FLUSHING DECK AND DRAINAGE SYSTEM



(R1) 16" TYPICAL SECTION
Scale: 1/4" = 1'-0"

SR 4005 OVER SR 30
PLAN, ELEVATION & TYPICAL SECTION

